

# #195000 UNISEX FIT FLEX PERFORMANCE MASK



- 95% Cotton/5% Spandex moisture management BadgerBlend fabric
- Naturally comfortable
- Double-Ply construction for optimal protection and breathability
- Middle seam contours and conforms to the face
- Comfort Anti-Chafe ear loops stretch 100% and hold their shape while being soft on the ears for all-day wear
- Durable lab-tested fabrics hold shape and fit wash after wash
- Writable interior name bar for identification
- Note - We are not able to accept returns on this style

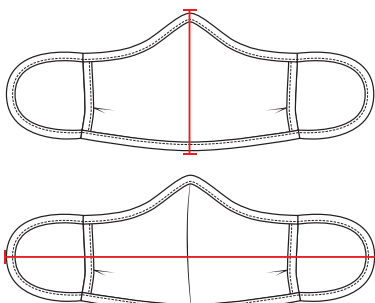
## COLORS



## SPECIFICATIONS

Color	Y S/M	Y L/XL	S/M	L/XL
<b>Piece Weight</b> measured in pounds	0.03	0.03	0.03	0.03
<b>Spec Length</b> measured in inches	4	4.75	5.5	6.25
<b>Spec Width</b> measured in inches	11.5	12.5	13.5	14.5
<b>Case Count</b> # of pieces per case	576	576	576	576

## HOW TO MEASURE



### LENGTH

Measured from top to bottom of mask at center front.

### WIDTH

Measured across center of mask from ear loop to ear loop.